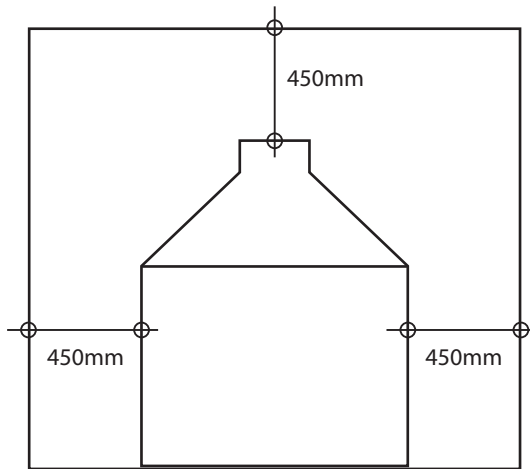


CHEMINEES PHILIPPE FREE STANDING INSTALLATION INSTRUCTIONS

For Models: Eden, Horama, Petit Godin, Primo, 600, 692, 700, 747, 800, 844, 846, 873, 930, 1000, 1001 & 1200

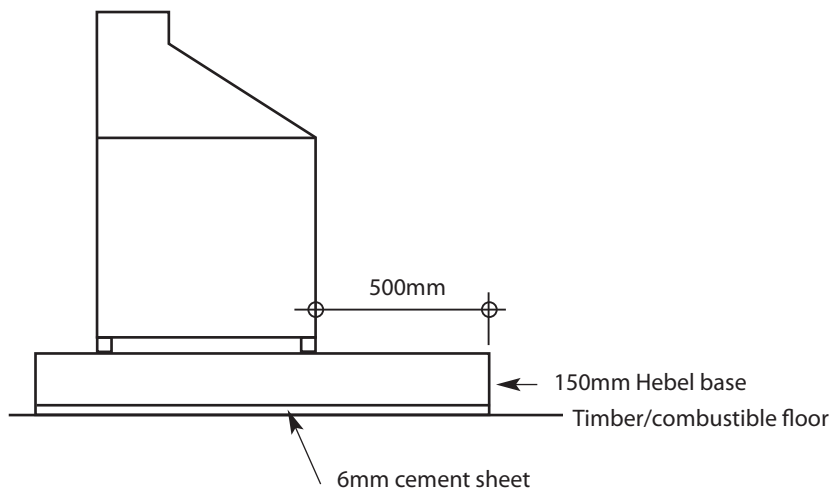
As per AS/NZ 2918.3.1 HRL Test Report No: HCMG/08/010



Wall Shield Options:

- 12mm Bellis Board
- Metal Shield min 1.5mm
- Continuous heat proof, fire rated material
- 100mm masonry, brick or Hebel

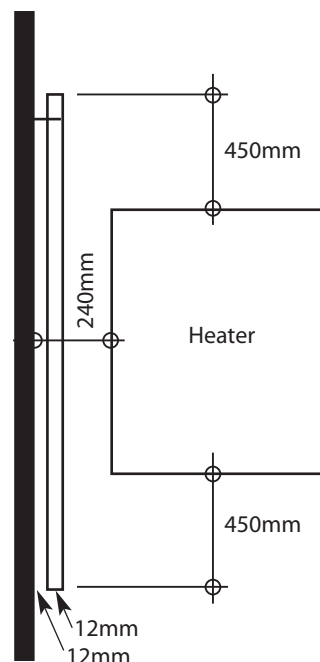
Hearth Requirements



Plan View of Wall Shield:

Wall shield must comprise of 2 layers of continuous material (metal or Bellis board) with 12mm spacing.

N.B. Flues to be properly shielded using either twin skin or triple skin flue as per AS/NZ 2918.



CHEMINÉES
PHILIPPE
A U S T R A L I A

430 Johnston St., Abbotsford, Victoria 3067 Phone: 03 9417 3315
e-mail: sales@wignells.com.au www.chemphilaust.com.au