

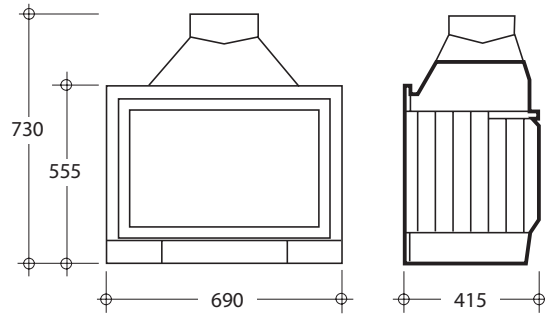
# RADIANTE 600 PRIMO

## STANDARD INSTALLATION

CHEMINEES PHILIPPE  
AUSTRALIA  
www.chemphilaustr.com.au

### LEGEND

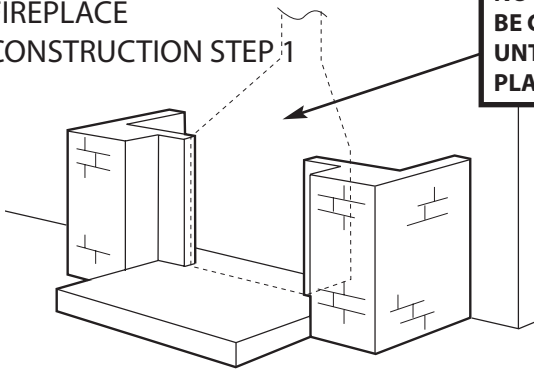
- Firebox Dimension
  - ▲ Exact Dimension
  - Minimum Dimension
  - ➔ Air Intake
  - ⇨ Air Outlet
- Brick Masonry



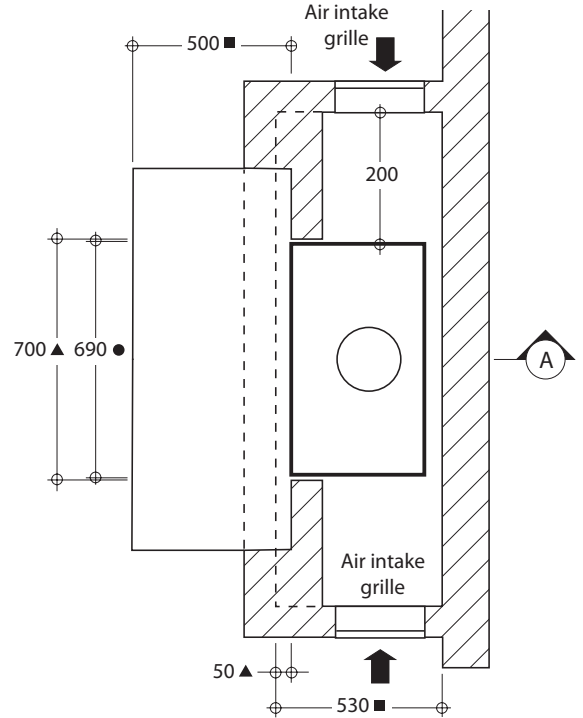
### NOTES:

- [1] Air intake grilles minimum air flow area required = 180cm<sup>2</sup> each side.
- [2] Air outlet grilles minimum air flow area = 240cm<sup>2</sup> each side and 480cm<sup>2</sup> if one grille is used.
- [3] Hearth height dimension optional (unless solid concrete floor - refer separate specs for construction.)
- [4] All dimensions in millimetres.
- [5] Heater can be left freestanding.
- [6] Do not scale from these diagrams

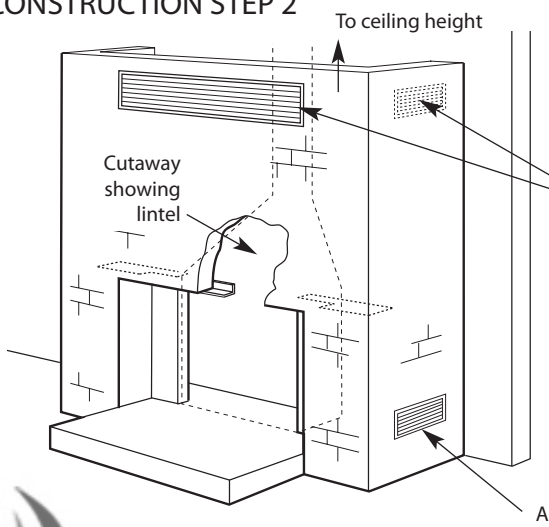
### FIREPLACE CONSTRUCTION STEP 1



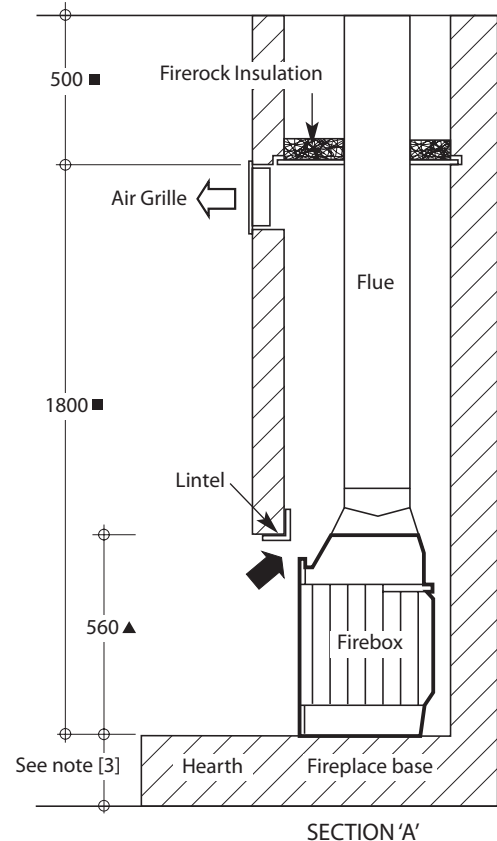
**IMPORTANT:  
NO BRICKWORK TO  
BE COMMENCED  
UNTIL FIREBOX IS  
PLACED IN POSITION**



### FIREPLACE CONSTRUCTION STEP 2



Air grilles to be either large front as shown, or sides x2 (dotted).



**wignells**  
of melbourne since 1949

THE HOME OF QUALITY HEATING & COOKING SYSTEMS

430 Johnston St., Abbotsford, Victoria 3067 Phone: 03 9417 3315  
e-mail: sales@wignells.com.au www.wignells.com.au