


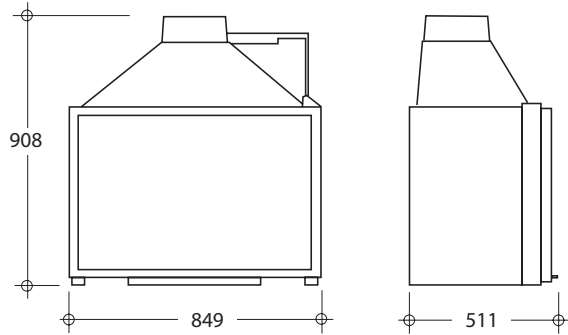
# RADIANTE 873 2V STANDARD INSTALLATION

## LEGEND

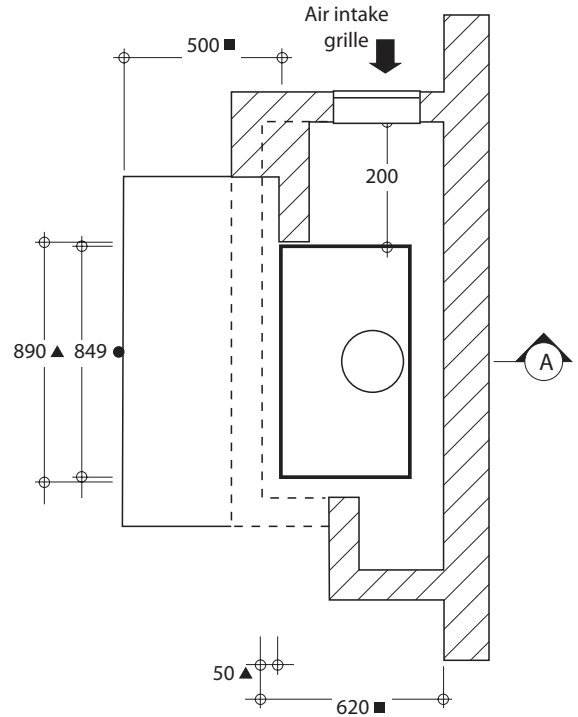
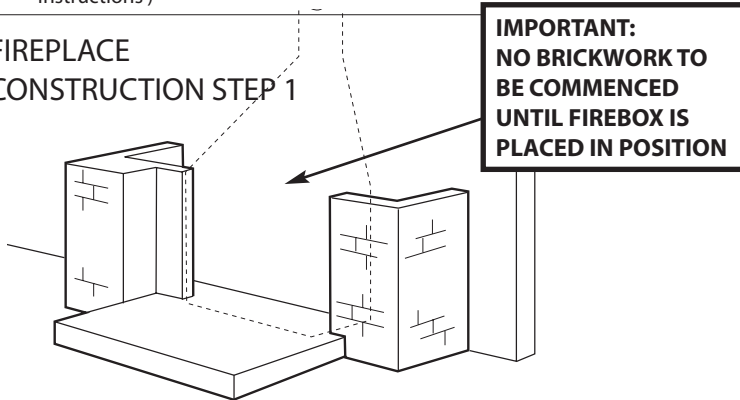
- Firebox Dimension
  - ▲ Exact Dimension
  - Minimum Dimension
  - ➔ Air Intake
  - ⇨ Air Outlet
-  Brick Masonry

## NOTES:

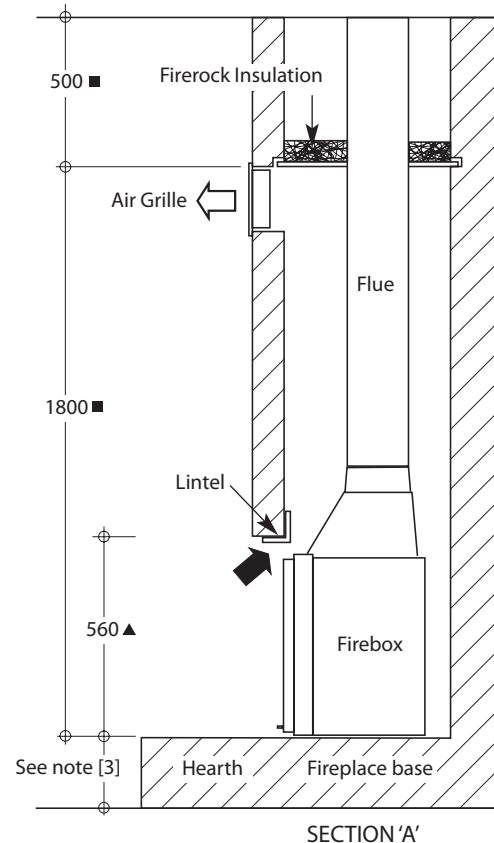
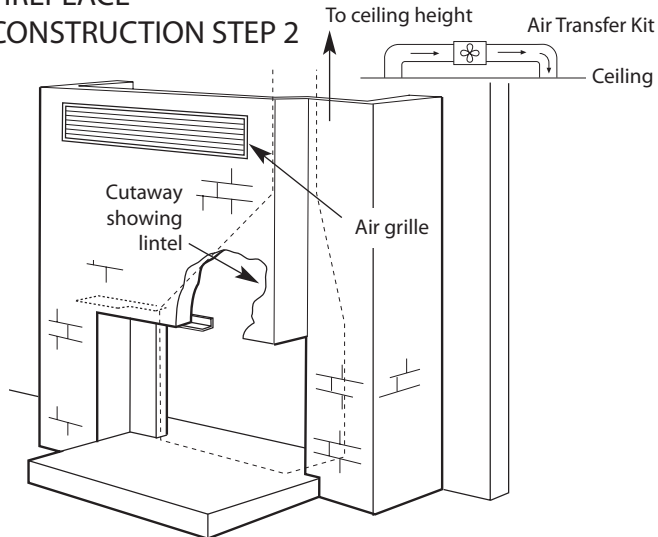
- [1] Air intake grilles minimum air flow area required = 180cm<sup>2</sup> each side.
- [2] Air outlet grilles minimum air flow area = 240cm<sup>2</sup> each side and 480cm<sup>2</sup> if one grille is used.
- [3] Hearth height dimensions optional (Refer to Technical Data & Installation Instructions)
- [4] All dimensions in millimetres.
- [5] Heater can be left freestanding.
- [6] Do not scale from these diagrams
- [7] Air transfer kits mandatory for exempt units to comply to AS/NZ 4012/4013:2014. Fan optional depending on duct length. ( Refer to Technical Data & Installation Instructions )



## FIREPLACE CONSTRUCTION STEP 1



## FIREPLACE CONSTRUCTION STEP 2



**CHEMINÉES  
PHILIPPE  
AUSTRALIA**

430 Johnston St., Abbotsford, Victoria 3067 Phone: 03 9417 3315  
e-mail: sales@wignells.com.au www.chemphilaust.com.au