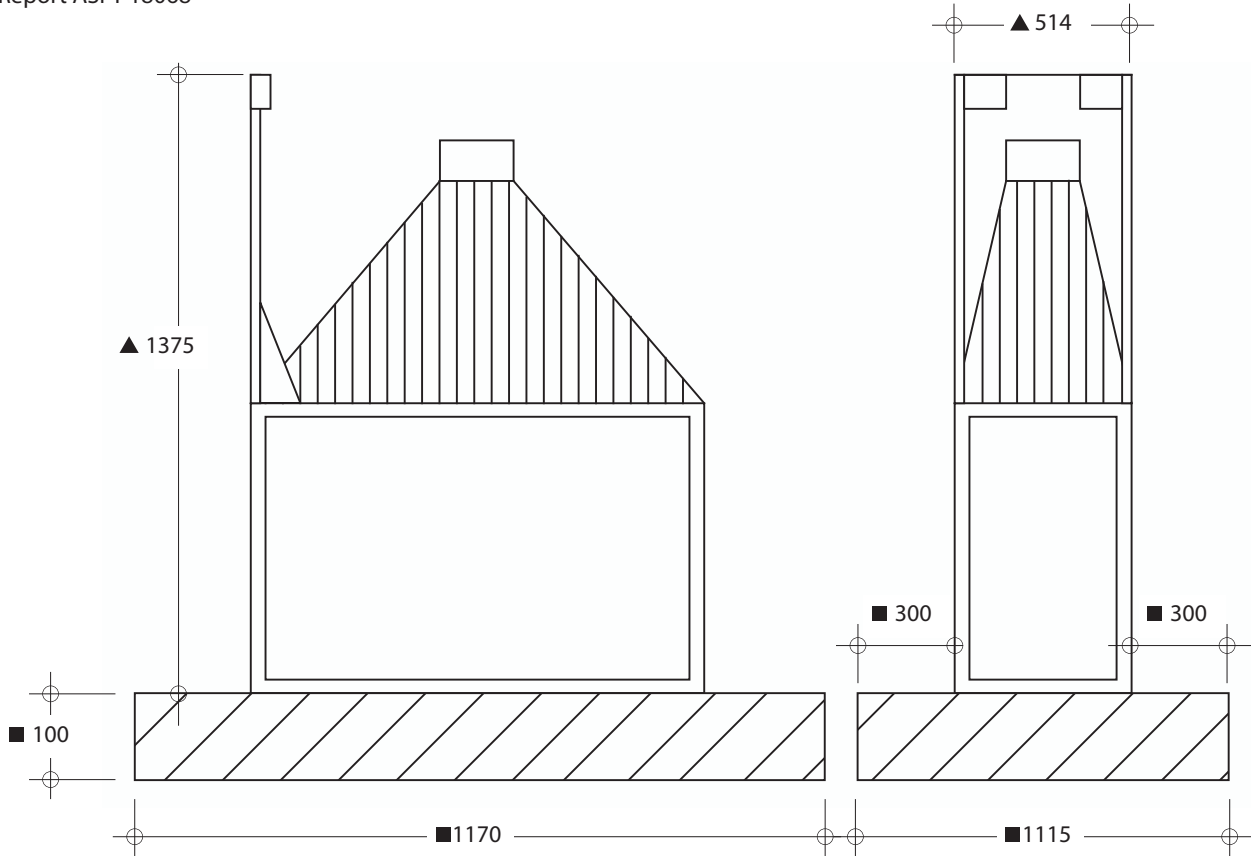
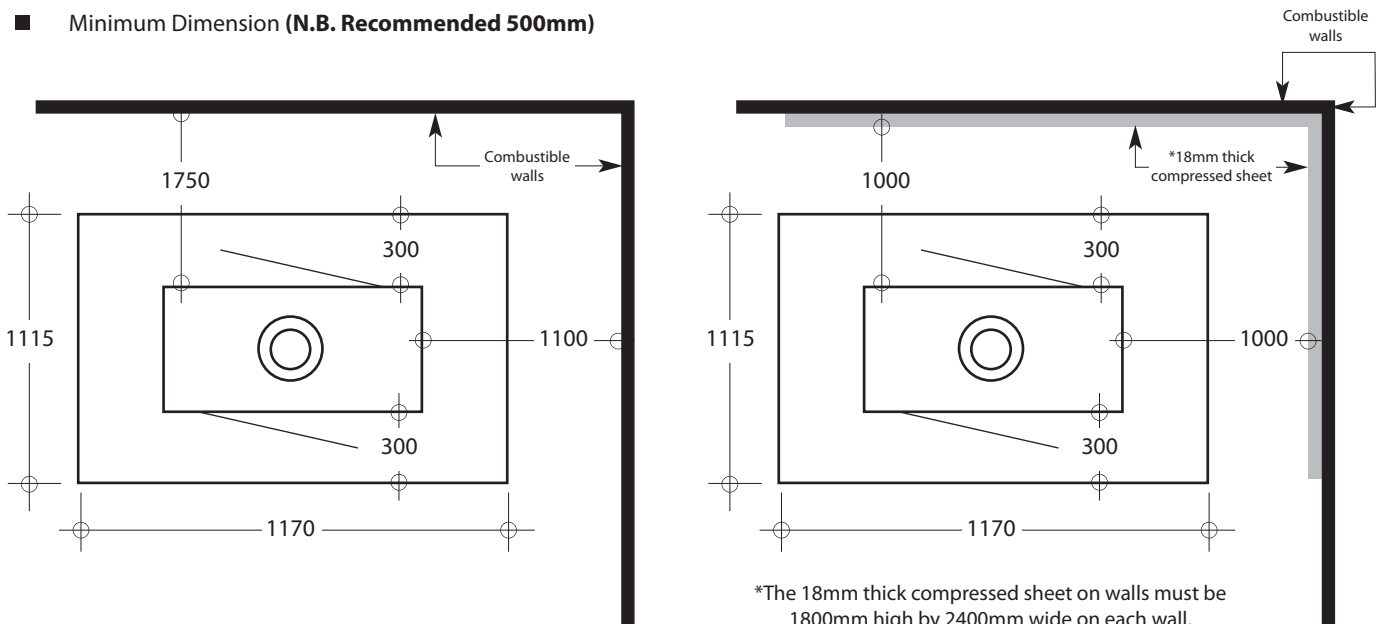


RADIANTE 846 SERIES FREESTANDING INSTALLATION

Report ASFT 18068



- Hearth 100mm Skamotec, Hebel or solid brick
- ▲ Exact Dimension
- Minimum Dimension (**N.B. Recommended 500mm**)



Clearance Diagrams

**CHEMINÉES
PHILIPPE**
AUSTRALIA

430 Johnston St., Abbotsford, Victoria 3067 Phone: 03 9417 3315
e-mail: sales@wignells.com.au www.chemphilaust.com.au