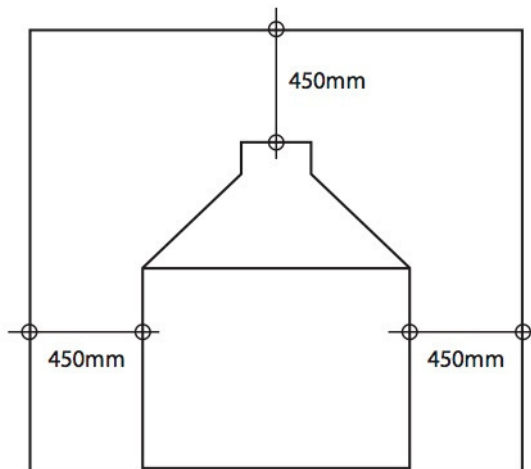


CHEMINÉES PHILIPPE FREE STANDING INSTALLATION INSTRUCTIONS USING SKAMOTEC

For Radiante Models: Primo, 600, 692, B20, 700, 747, 800, 844, 846, 873, 1000, 1001, 1200, Eden, Horama & Celon.
Petit Godin, Mini Cube & Barella.

As per AS/NZ 2918.3.1 Report Number ASFT17097-1

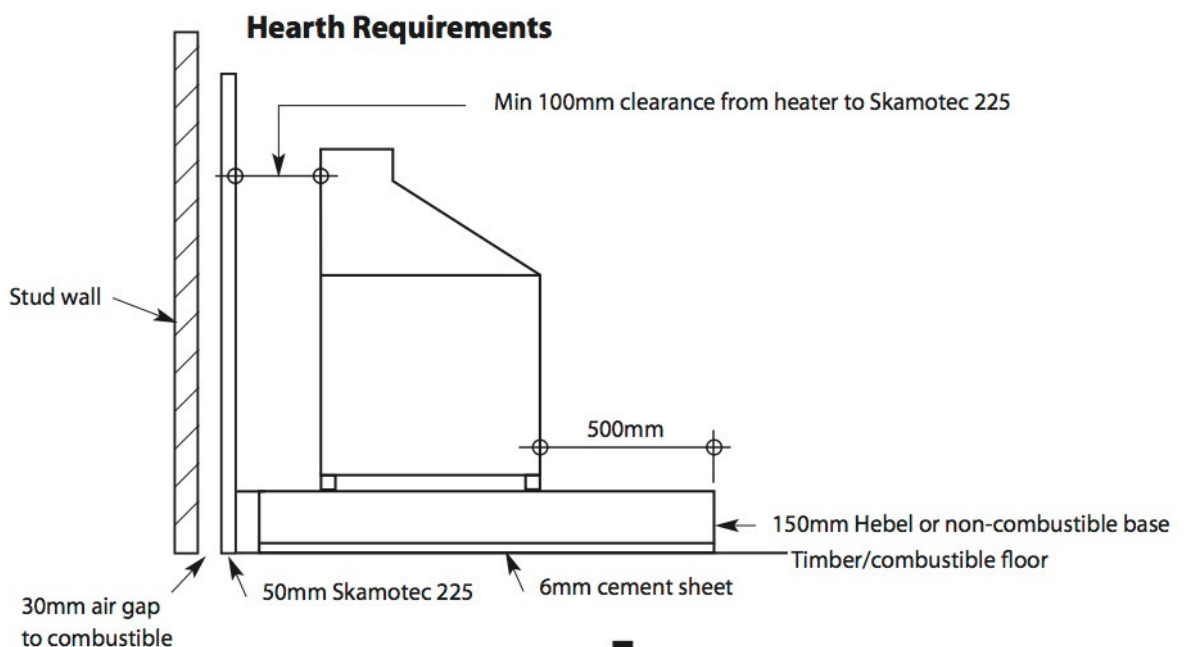
Elevation



Wall Shield:

- 50mm Skamotec 225
- Min 450mm above finished top of heater
- Flues to be properly shielded using triple skin flue as per AS/NZS 2918
- **1200mm above finished top of heater then single skin flue can be used**

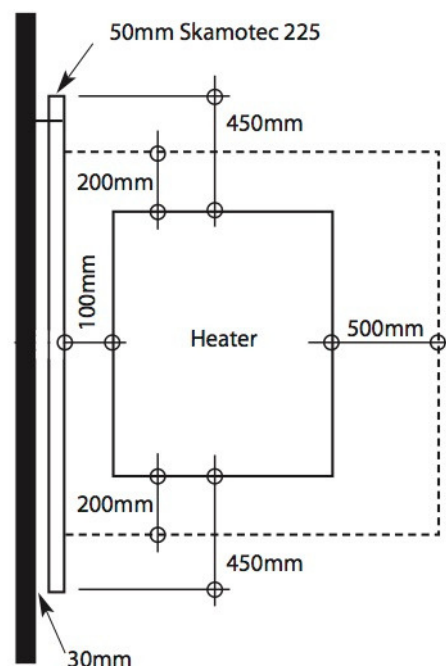
Section



Plan View of Wall Shield:

50mm Skamotec 225 with a 30mm air gap.

IMPORTANT: Appliance and Flue kit to be strictly installed in accordance to AS/NZS 2918:2001 and the appropriate requirements of the relevant codes. Installer to be a qualified licensed person.



**CHEMINÉES
PHILIPPE
AUSTRALIA**

430 Johnston St., Abbotsford, Victoria 3067 Phone: 03 9417 3315
e-mail: sales@wignells.com.au www.chemphilaust.com.au